

Technical sheet :

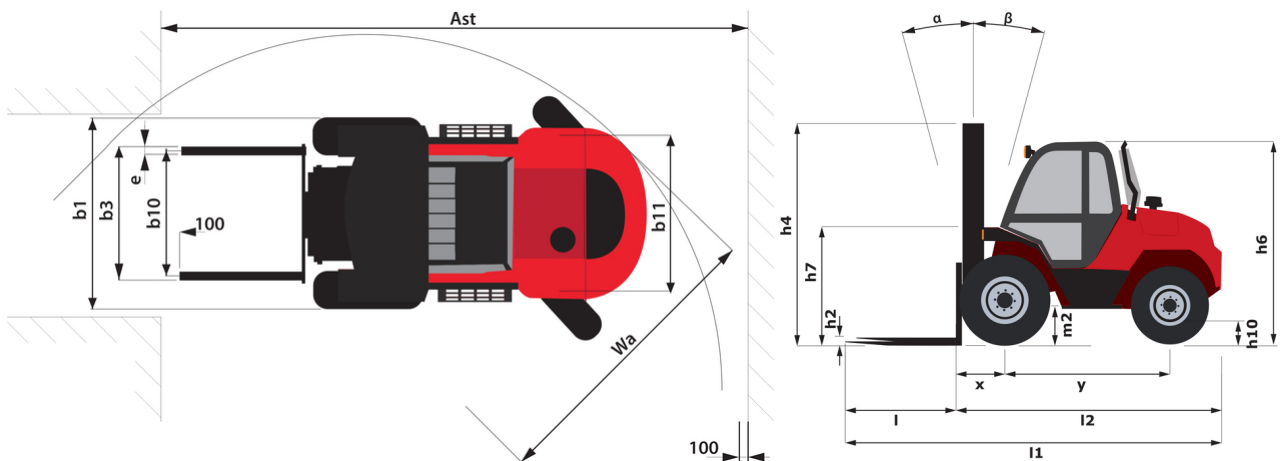
M 70-2H STG5



 **MANITOU**
HANDLING YOUR WORLD

Technical characteristics			Metric	Imperial
1.1	Manufacturer		MANITOU	MANITOU
1.2	Model Name		M 70-2H STG5	M 70-2H STG5
1.3	Power source		Diesel	Diesel
1.4	Operator type		Sitting	Sitting
1.5	Max. capacity	Q	7000 kg	15432 lb
1.6	Load center of gravity	c	600 mm	24 in
1.8	Load distance, centre of drive axle to fork	x	803 mm	32 in
1.9	Wheelbase	y	2493 mm	98 in
Weight				
2.1	Service weight		9880 kg	21782 lb
2.2	Weight on front axle (laden) / rear axle (laden)		14954 kg / 1926 kg	32968 lb / 4246 lb
2.3	Weight on front axle (Unladen) / rear axle (Unladen)		4040 kg / 5840 kg	8907 lb / 12875 lb
Wheels				
3.1	Tyres type		Pneumatic	Pneumatic
3.2	Dimensions of front wheels		18R19.5 8T N20XF	18R19.5 8T N20XF
3.3	Dimensions of rear wheels		265/70R19.5 6T P30HT3	265/70R19.5 6T P30HT3
3.5	Number of front wheels / rear wheels		2 / 2	2 / 2
3.5.2	Number of drive wheels		2	2
3.6	Front wheel gauge	b10	1700 mm	67 in
3.7	Rear wheel gauge	b11	1545 mm	61 in
Dimensions				
4.7	Height of overhead guard (cabin)	h6	2475 mm	97 in
4.8	Seat height/stand height	h7	1485 mm	58 in
4.19	Overall length	l1	5700 mm	224 in
4.20	Length to face of forks	l2	4200 mm	165 in
4.21	Overall width	b1	2155 mm	85 in
4.22	Forks section x width x length	s / e / l	70 mm x 150 mm / 1500 mm	3 in x 6 in / 59 in
4.23	Fork carriage ISO 2328 (class/form) A/B		4A	4A
4.24	Fork carriage width	b3	1750 mm	69 in
4.31	Ground clearance below mast	m1	300 mm	12 in
4.32	Ground clearance at centre of wheelbase	m2	410 mm	16 in
4.33	Aisle width for 1000 x 1200 pallet widthways	Ast	6703 mm	264 in
4.34	Aisle width for 800 x 1200 pallet lengthways	Ast	6703 mm	264 in
4.35	Turning radius	Wa	4200 mm	165 in
Performances				
5.1	Travel speed (laden / unladen)		11 m/s / 23 km/h	36 ft/s / 14 mi/h
5.2	Lifting speed (laden / unladen)		0.32 m/s / 0.32 m/s	1 ft/s / 1 ft/s
5.3	Lowering speed (laden / unladen)		0.40 m/s / 0.34 m/s	1 ft/s / 1 ft/s
5.5	Drawbar pull (Laden / Unladen)		8060 daN / 2930 daN	8060 daN / 2930 daN
5.7	Gradeability (laden / unladen)		45 % / 27 %	45 % / 27 %
5.10	Service brake		Hydraulic	Hydraulic
Engine				
7.1	Engine brand / model / nom		Deutz / TD 3,6 / Stage V	Deutz / TD 3,6 / Stage V
7.2	Engine power according to ISO 1585		55.40 kW	55 kW
7.3	Rated speed		2500 rpm	2500 rpm
7.4	Number of cylinders		4	4
Miscellaneous				
8.2	Working hydraulic pressure for attachments		230 bar	3336 PSI
8.3	Oil flow rate for attachments		80 l/min	21 US gpm
8.4	Sound level at the driver's ear according to DIN 12 053		78 dB	78 dB

M 70-2H STG5 - Dimensional drawing



Characteristics of masts and residual capacities

Full Visibility Duplex (FVD)	FVD 36	FVD 40	FVD 45	
Mast/fork carriage tilt, forward	°	15	15	15
Mast/fork carriage tilt, backward	°	15	15	15
h1 - Mast lowered height	mm	3145	3345	3595
h4 - Mast extended height	mm	4960	5360	5860
Residual capacity at max height	kg	7000	7000	5000
Residual capacity with hooked-on side shift (Industrial load chart)	kg	6300	6350	3850
Height at max capacity	mm	3600	4000	4000



Head Office

B.P. 249 - 430 rue de l'Aubinière

44150 Ancenis Cedex - France

Tel: +33 (0)2 40 09 10 11 - Fax: +33 (0)2 40 09 10 97

www.manitou.com



This publication provides a description of the configuration versions and options for Manitou products, which may differ for equipment. The equipment presented in this brochure may be part of a series, as an option, or it may not be available, depending on the versions. Manitou reserves the right, at any time and without notice, to amend the specifications described and represented. The specifications provided do not bind the manufacturer. For more details, please contact your Manitou agent. This is not a contractually binding document. The presentation of the products is not contractually binding. List of specifications non-exhaustive. The logos as well as the visual identity of the company are owned by Manitou and cannot be used without authorisation. All rights reserved. The photos and diagrams contained in this brochure are only provided for consultation and information purposes.

MANITOU BF SA - Limited company with board of directors - Share capital: 39,668,399 euros - 857 802 508 RCS Nantes